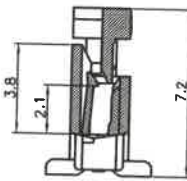
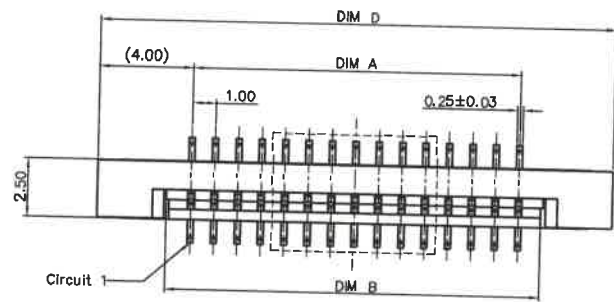


环保物料

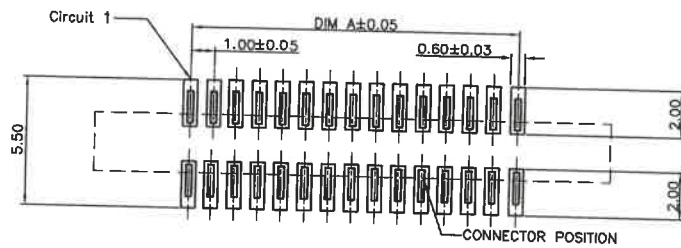
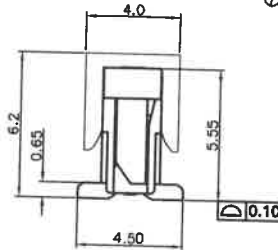
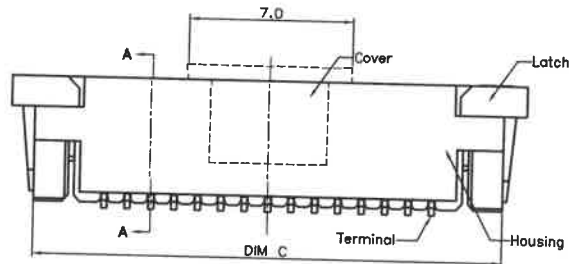
检验规范



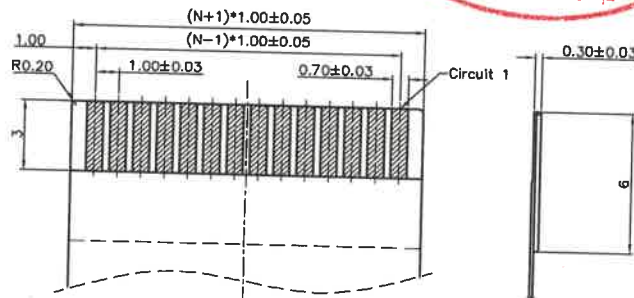
Note:  
 1. Material:  
 1.1 Housing: thermoplastic high temp.UL94V-0; Color: natural.  
 1.2 Cover: thermoplastic high temp.UL94V-0; Color: natural.  
 1.3 Terminal: copper alloy.  
 2. Finish:  
 2.1 Terminal: Underplating: Au/matt Tin overall.  
 3. Product must comply HF RoHS specification.

41059W00-NPN-S H L O A N B x  
 ① ② ③ ④ ⑤ ⑥ ⑦ ⑧ ⑨ ⑩

- ① Series No.
- ② W00: Straight Type
- ③ No. of Circuits
- ④ Color: N=Natural
- ⑤ S: SMT type
- ⑥ H=HF
- ⑦ Material: L=LCP
- ⑧ Plating for contacts:  
 2E=Matte Tin-plated  
 OA=Gold-flash on contact area
- ⑨ Plating for solder area:  
 N=Non-plating(LEG)
- ⑩ Assembly Style  
 B=Normal contact  
 R=Tape & Reel  
 T=Tube Backing  
 C=Reel & With Cover



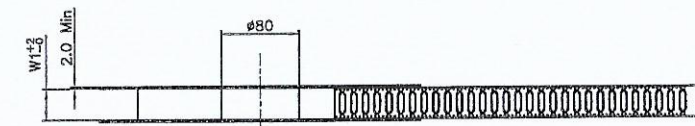
RECOMMENDED PCB PATTERN LAYOUT



RECOMMENDED FPC/FFC DIMENSION

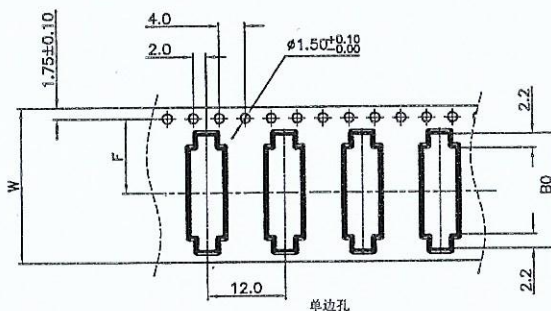
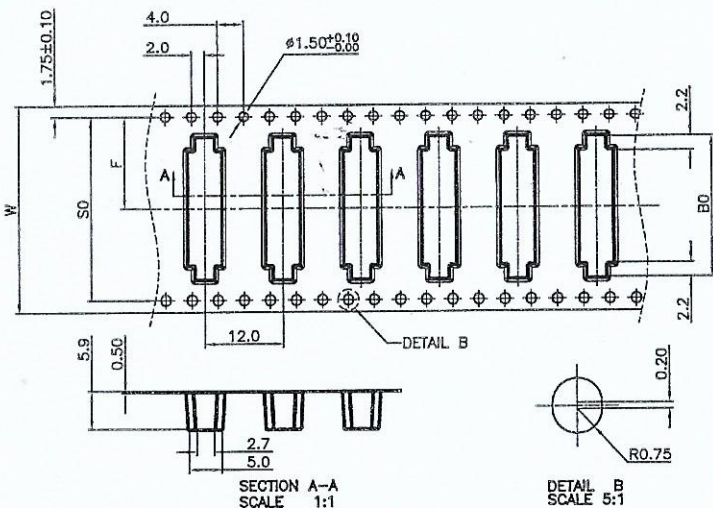
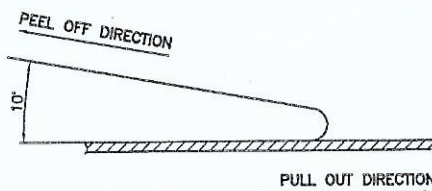
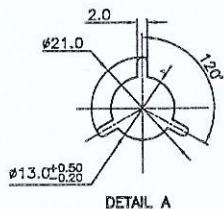
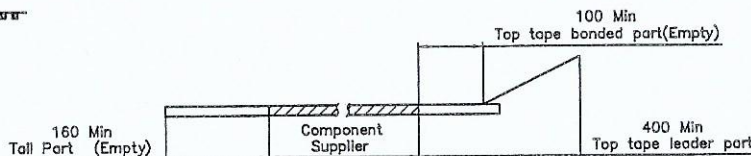
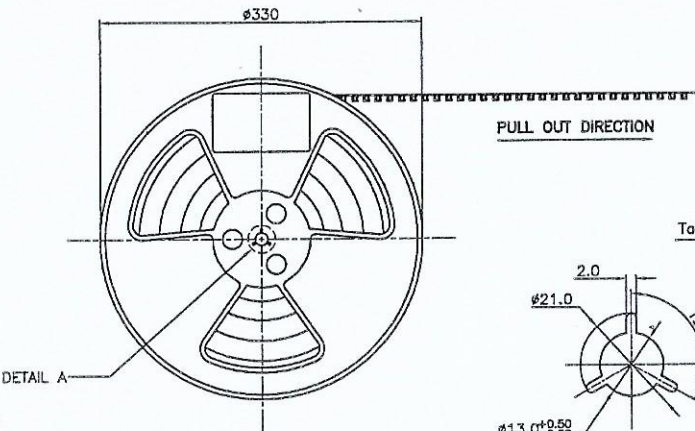
CKTS	DIM A	DIM B	DIM C	DIM D
4	3.00	5.10	9.05	11.00
5	4.00	6.10	10.05	12.00
6	5.00	7.10	11.05	13.00
7	6.00	8.10	12.05	14.00
8	7.00	9.10	13.05	15.00
9	8.00	10.10	14.05	16.00
10	9.00	11.10	15.05	17.00
11	10.00	12.10	16.05	18.00
12	11.00	13.10	17.05	19.00
13	12.00	14.10	18.05	20.00
14	13.00	15.10	19.05	21.00
15	14.00	16.10	20.05	22.00
16	15.00	17.10	21.05	23.00
17	16.00	18.10	22.05	24.00
18	17.00	19.10	23.05	25.00
19	18.00	20.10	24.05	26.00
20	19.00	21.10	25.05	27.00
21	20.00	22.10	26.05	28.00
22	21.00	23.10	27.05	29.00
23	22.00	24.10	28.05	30.00
24	23.00	25.10	29.05	31.00
25	24.00	26.10	30.05	32.00
26	25.00	27.10	31.05	33.00
27	26.00	28.10	32.05	34.00
28	27.00	29.10	33.05	35.00
29	28.00	30.10	34.05	36.00
30	29.00	31.10	35.05	37.00

A2	25.11.03	更新盖子颜色尺寸	董东平	杨章雄	一般公差 GENERAL TOLERANCE		绘图 DR.	料号 PART NO. 41059W00-NPN-SHLxxNBX	文件编号 NUMBER ENDE05	 TERMINAL&CONNECTORS
A1	20.10.13	换图框发行	董东平	杨章雄	X.X ±0.25	X' ±2'	校对 CHK.			
A0	15.10.6	新发行	李兴泽	杨章雄	X.XX ±0.15	X.X' ±1'	审核 CHK.	品名 TITLE FPC 1.0 Pitch 5.55H 立式插 Connector	比例 SCALE 1/1	
版次 REV	日期 DATE	变更内容 DESCRIPTION	审核	核准 APPD.	单位 UNIT mm			核准 APPD.		



NOTES:

1. 10 SPROCKET HOLE PITCH CUMULATIVE TOLERANCE.±0.20mm
2. CARRIER CAMBER NOT TO EXCEED 1mm IN 250mm.
3. ALL DIMENSIONS MEET EIA-481-C REQUIREMENTS.
4. MATERIAL: BLACK ANTI-STATIC POLYSTYRENE.
5. THICKNESS: 0.50 ± 0.05 mm.
6. PACKING LENGTH PER 13" REEL:11.40METERS.
7. COMPONENT LOAD PER 13" REEL:800PCS
8. PEELING OFF FORCE OF TOP TAPE 0.1N~0.7N(10.2gf~100gf).



CKTS	B0±0.10	W	W1	F	S0±0.10
4	10.80	24±0.3/-0	24.4	11.5±0.10	单边孔
5	11.80				
6	12.80				
7	13.80				
8	14.80				
9	15.80				
10	16.80	32±0.30	32.4	14.2±0.10	28.4
11	17.80				
12	18.80				
13	19.80				
14	20.80				
15	21.80				
16	22.80	44±0.30	44.4	20.2±0.15	40.4
17	23.80				
18	24.80				
19	25.80				
20	26.80				
21	27.80				
22	28.80	56±0.30	56.4	26.2±0.15	52.4
23	29.80				
24	30.80				
25	31.80				
26	32.80				
27	33.80				
28	34.80				
29	35.80				
30	36.80				

				一般公差 GENERAL TOLERANCE		绘图 DR. 李兴泽		料号 PART NO. 41059W00-NPN-SHLOANBX		文件编号 NUMBER ENDE05		JCTC® TERMINAL&CONNECTORS	
				X.X ±0.25	X' ±2'	校对 CHK. 李兴泽		品名 TITLE		比例 SCALE 1/1			
				X.XX ±0.15	X.X' ±1'	审核 CHK. 李兴泽		FPC 1.0 Pitch 5.55H 立式抽屉 Connector		版次 REV. A1			
				X.XXX ±0.08	△ MAJOR DIM.	核准 APPD. 李兴泽							
				单位 UNIT mm									